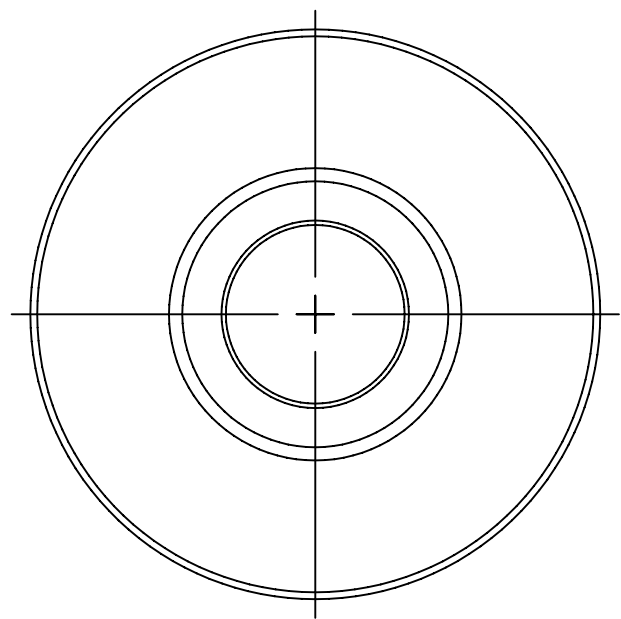


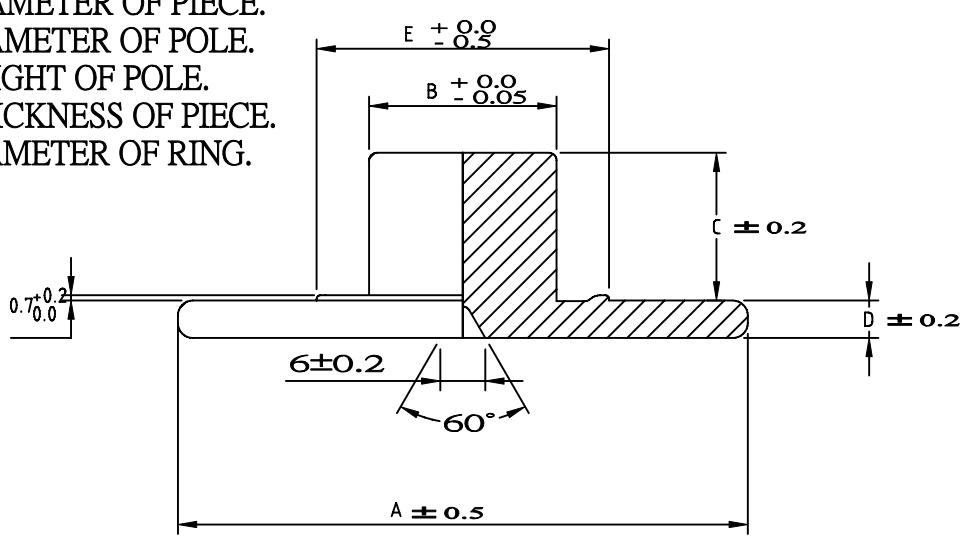
1	2	3	4
RevNo	Revision note	Date	Signature
			Checked

Code	Production capacity
A	Diameter of Piece from 28mm to 150mm.
B	Diameter of Pole from 12mm to 60mm.
C	Height of Pole from 7mm to 50mm.
D	Thickness of Piece from 2mm to 15mm.
E	Diameter of Ring for Magnet In-diameter.



NOTE:

- A = DIAMETER OF PIECE.
- B = DIAMETER OF POLE.
- C = HEIGHT OF POLE.
- D = THICKNESS OF PIECE.
- E = DIAMETER OF RING.



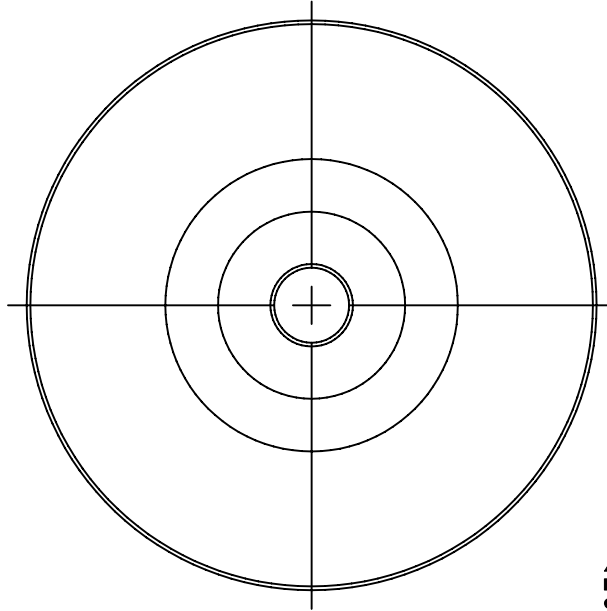
Itemref	material, Low Carbon Steel - SWRCH6A	Approved by - date 14th November 2006	Finish: Trivalent Blue Zinc or C.E.D. Coating
Designed by	Checked by	Dimension mm.	Date 14th Feb. 2007
			Scale 1:1

MILLION INTERWORK SDN. BHD.
 Lot 315, Jalan PKNK 3, Kawasan Perindustrian, 08000 Sungai Petani, Kedah, Malaysia
 Tel: 60-4-441 0288, 441 5388 Fax: 60-04-442 9092 Web: <http://www.million.url.tw>

TITLE	T-Yoke / Pole Piece		
Drg. No.	TA Series	Edition 1.0	Sheet 1

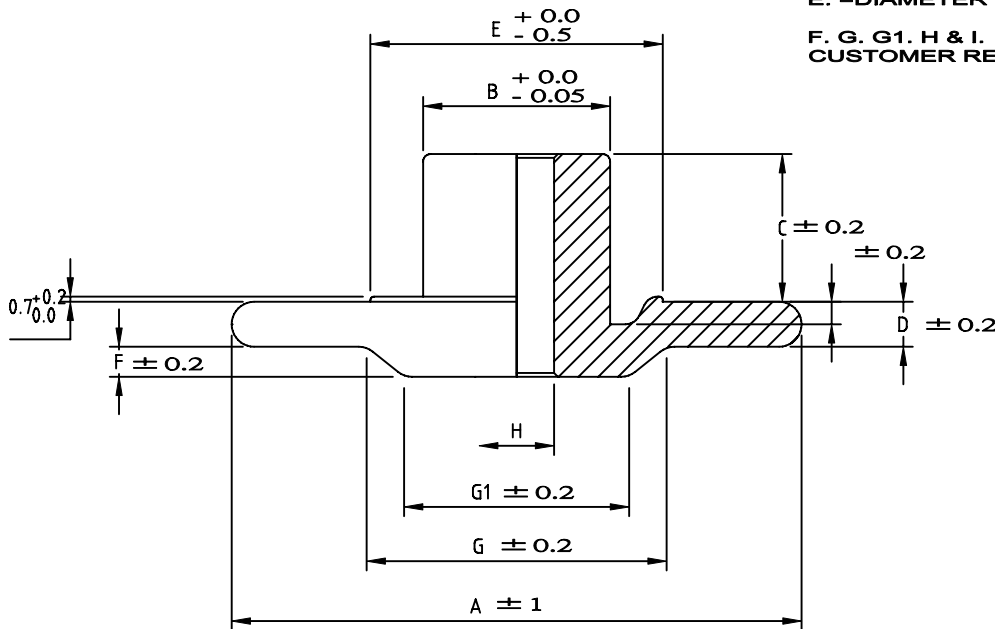
RevNo	1	2	3	4
	Revision note		Date	Signature
				Checked

Code	Production capacity
A	Diameter of Piece from 45mm to 150mm.
B	Diameter of Pole from 16mm to 60mm.
C	Height of Pole from 7mm to 50mm.
D	Thickness of Piece from 2mm to 15mm.
E	Diameter of Ring for Magnet In-diameter.



A. =DIAMETER OF PIECE.
 B. =DIAMETER OF POLE.
 C. =HEIGHT OF POLE.
 D. =THICKNESS OF PIECE.
 E. =DIAMETER OF RING.

F. G. G1. H & I.
 CUSTOMER REQUIRE.



Itemref	material, Low Carbon Steel - SWRCH6A	Approved by - date 14th November 2006	Finish: Trivalent Blue Zinc or C.E.D. Coating
Designed by	Checked by	Dimension mm.	Date 14th Feb. 2007
			Scale 1:1

MILLION INTERWORK SDN. BHD.

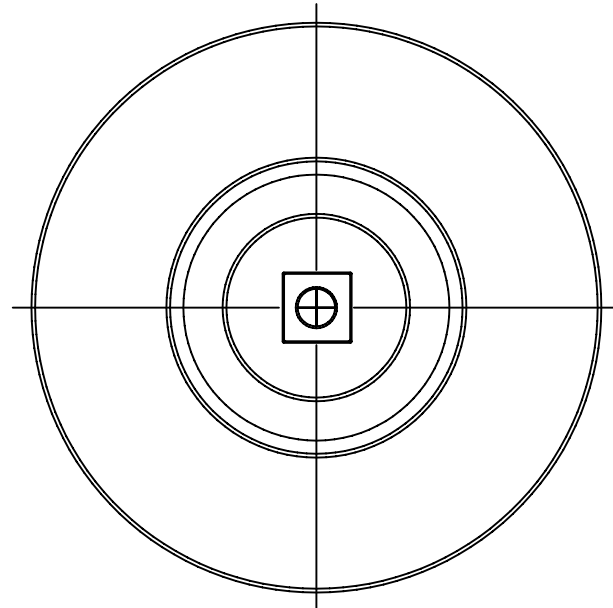
Lot 315, Jalan PKNK 3, Kawasan Perindustrian, 08000 Sungai Petani, Kedah, Malaysia
 Tel: 60-4-441 0288, 441 5388 Fax: 60-04-442 9092 Web: <http://www.million.url.tw>

TITLE
T-Yoke / Pole Piece

Drg. No. TG series	Edition 1.0	Sheet 1
-----------------------	----------------	------------

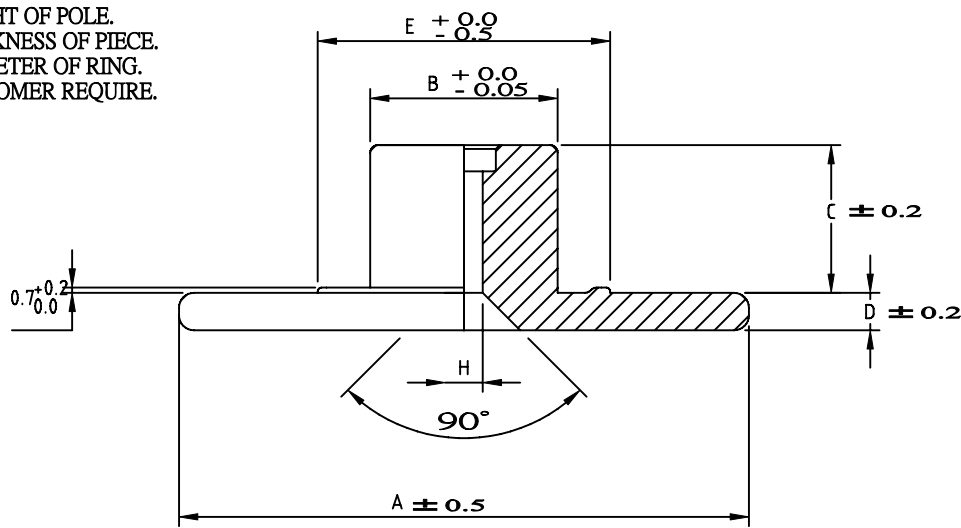
RevNo	1	2	3	4
	Revision note		Date	Signature
				Checked

Code	Production capacity
A	Diameter of Piece from 45mm to 150mm.
B	Diameter of Pole from 16mm to 60mm.
C	Height of Pole from 7mm to 50mm.
D	Thickness of Piece from 2mm to 15mm.
E	Diameter of Ring for Magnet In-diameter.



NOTE:

- A = DIAMETER OF PIECE.
- B = DIAMETER OF POLE.
- C = HEIGHT OF POLE.
- D = THICKNESS OF PIECE.
- E = DIAMETER OF RING.
- H = CUSTOMER REQUIRE.



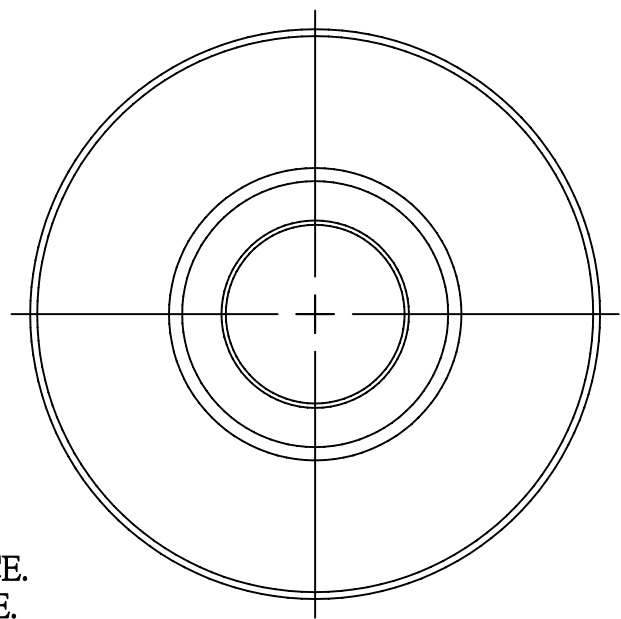
Itemref	material, Low Carbon Steel - SWRCH6A	Approved by - date 14th November 2006	Finish: Trivalent Blue Zinc or C.E.D. Coating
Designed by	Checked by	Dimension mm.	Date 14th Feb. 2007
			Scale 1:1

MILLION INTERWORK SDN. BHD.
 Lot 315, Jalan PKNK 3, Kawasan Perindustrian, 08000 Sungai Petani, Kedah, Malaysia
 Tel: 60-4-441 0288, 441 5388 Fax: 60-04-442 9092 Web: <http://www.million.url.tw>

TITLE T-Yoke / Pole Piece		
Drg. No. TH series	Edition 1.0	Sheet 1

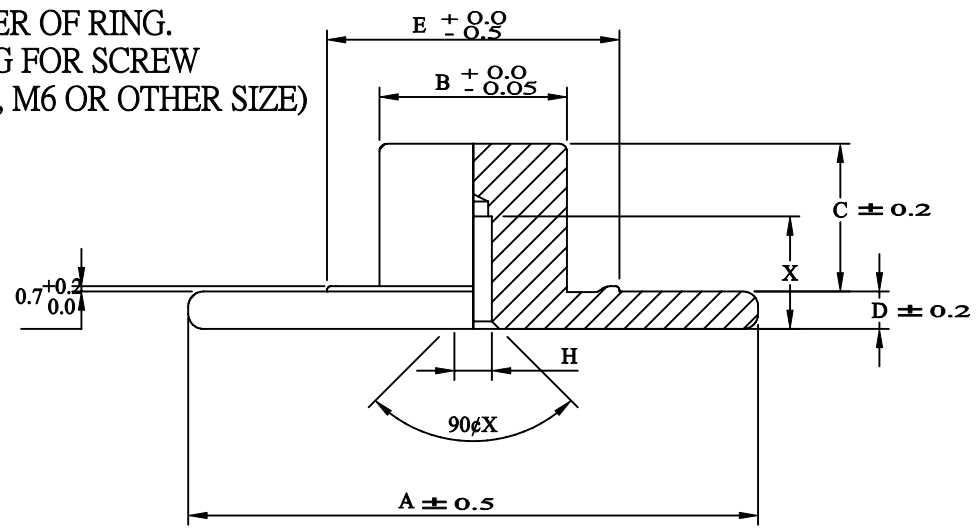
1	2	3	4
RevNo	Revision note	Date	Signature

Code	Production capacity
A	Diameter of Piece from 28mm to 150mm.
B	Diameter of Pole from 12mm to 60mm.
C	Height of Pole from 7mm to 50mm.
D	Thickness of Piece from 2mm to 15mm.
E	Diameter of Ring for Magnet In-diameter.



NOTE:

- A = DIAMETER OF PIECE.
- B = DIAMETER OF POLE.
- C = HEIGHT OF POLE.
- D = THICKNESS OF PIECE.
- E = DIAMETER OF RING.
- H = TAPPING FOR SCREW (M3, M4, M5, M6 OR OTHER SIZE)



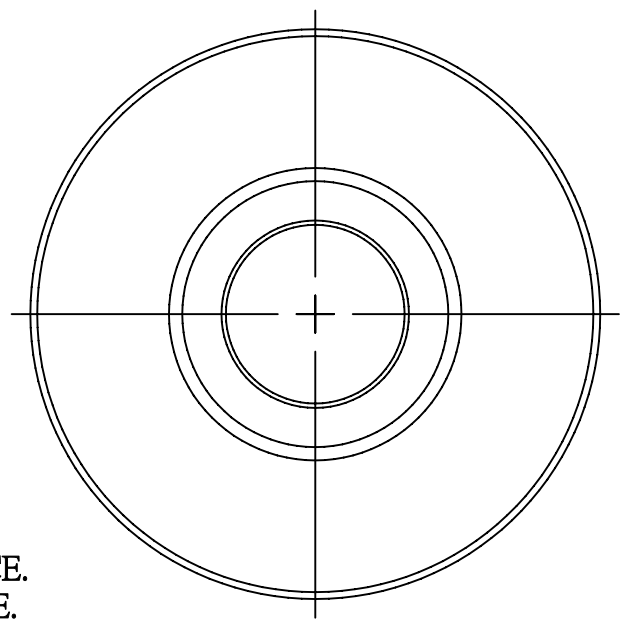
Itemref	material, Low Carbon Steel - SWRCH6A	Approved by - date 14th November 2006	Finish: Trivalent Blue Zinc or C.E.D. Coating
Designed by	Checked by	Dimension mm.	Date 14th Feb. 2007
			Scale 1:1

MILLION INTERWORK SDN. BHD.
 Lot 315, Jalan PKNK 3, Kawasan Perindustrian, 08000 Sungai Petani, Kedah, Malaysia
 Tel: 60-4-441 0288, 441 5388 Fax: 60-04-442 9092 Web: <http://www.million.url.tw>

TITLE T-Yoke / Pole Piece		
Drg. No. TR Series	Edition 1.0	Sheet 1

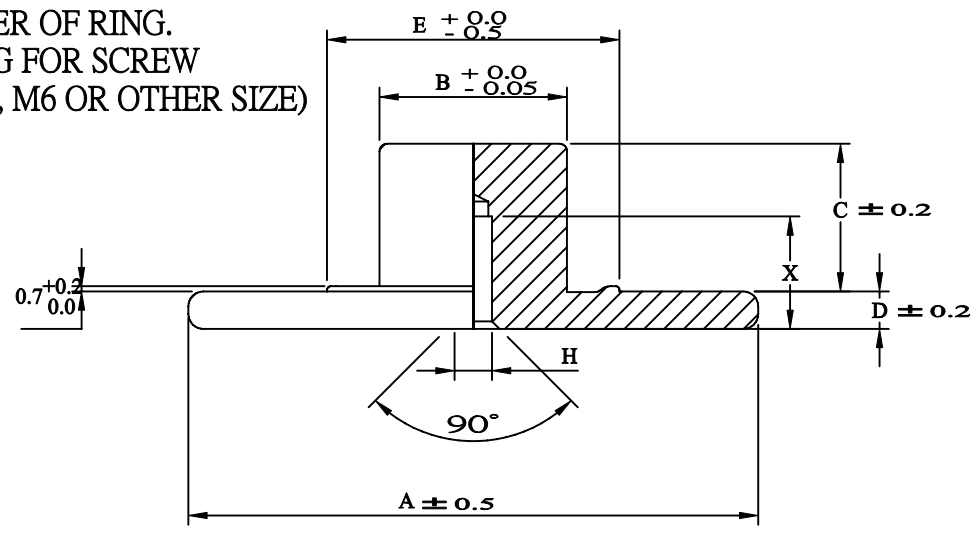
1	2	3	4
RevNo	Revision note	Date	Signature
			Checked

Code	Production capacity
A	Diameter of Piece from 28mm to 150mm.
B	Diameter of Pole from 12mm to 60mm.
C	Height of Pole from 7mm to 50mm.
D	Thickness of Piece from 2mm to 15mm.
E	Diameter of Ring for Magnet In-diameter.



NOTE:

- A = DIAMETER OF PIECE.
- B = DIAMETER OF POLE.
- C = HEIGHT OF POLE.
- D = THICKNESS OF PIECE.
- E = DIAMETER OF RING.
- H = TAPPING FOR SCREW (M3, M4, M5, M6 OR OTHER SIZE)



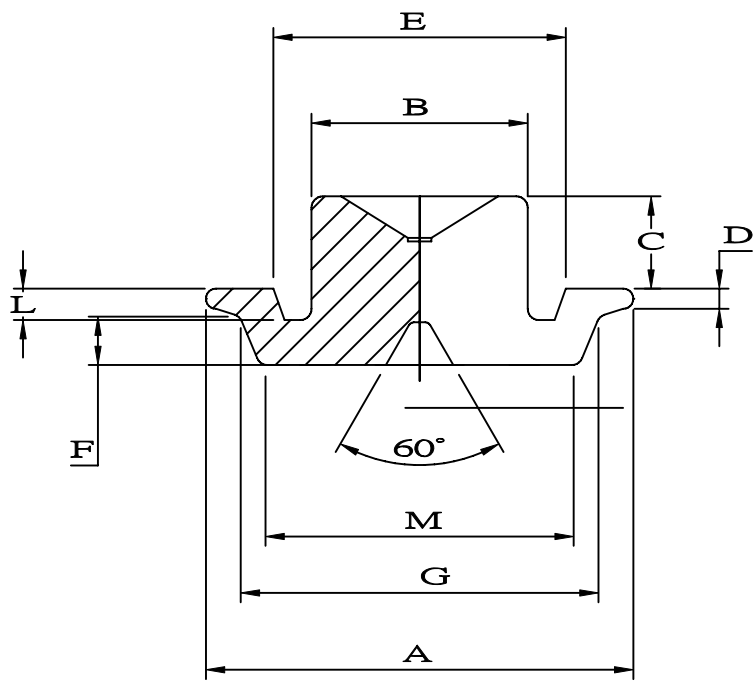
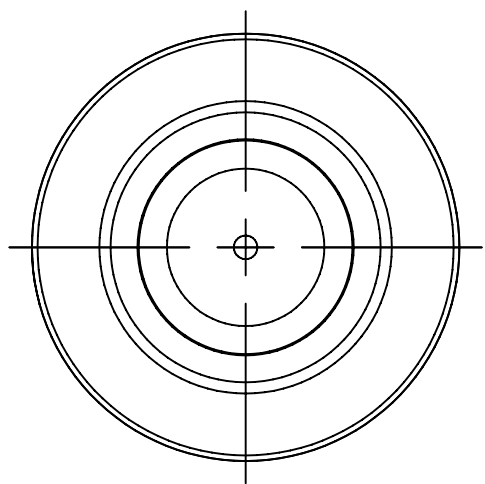
Itemref	material, Low Carbon Steel - SWRCH6A	Approved by - date 14th November 2006	Finish: Trivalent Blue Zinc or C.E.D. Coating
Designed by	Checked by	Dimension mm.	Date 14th Feb. 2007
			Scale 1:1

MILLION INTERWORK SDN. BHD.
 Lot 315, Jalan PKNK 3, Kawasan Perindustrian, 08000 Sungai Petani, Kedah, Malaysia
 Tel: 60-4-441 0288, 441 5388 Fax: 60-04-442 9092 Web: <http://www.million.url.tw>

TITLE T-Yoke / Pole Piece		
Drg. No.	TS Series	Sheet 1
	Edition 1.0	

1	2	3	4
RevNo	Revision note	Date	Signature
			Checked

PRODUCTION CAPACITY:
 A = OUT-DIAMETER OF PLATE: 35MM TO 150MM
 B = IN-DIAMETER OF PLATE: 12MM TO 75MM
 C = HEIGHT OF POLE: 8MM TO 70MM
 D = THICKNESS OF PLATE: 2MM TO 15MM
 E = DIAMETER OF GOVE: ACCORDING TO CUSTOMER DESIGN
 F = BUMP 2MM TO 30MM
 G = ACCORDING TO CUSTOMER DESIGN
 H = ACCORDING TO CUSTOMER DESIGN
 L = ACCORDING TO CUSTOMER DESIGN
 M = ACCORDING TO CUSTOMER DESIGN

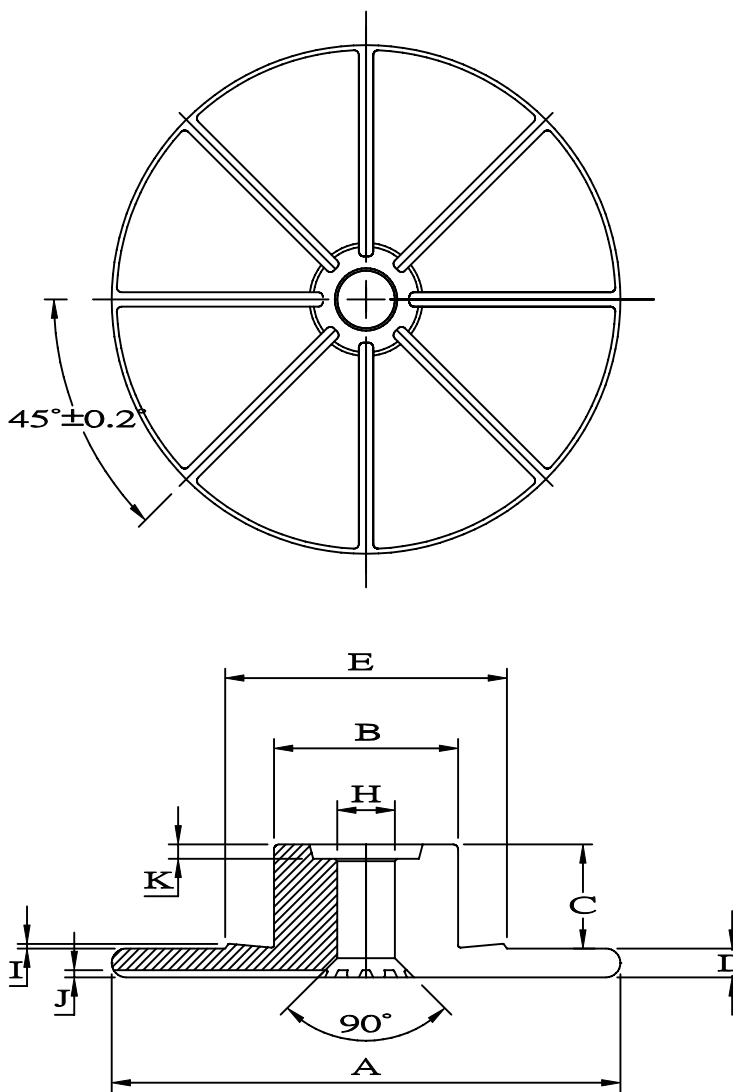
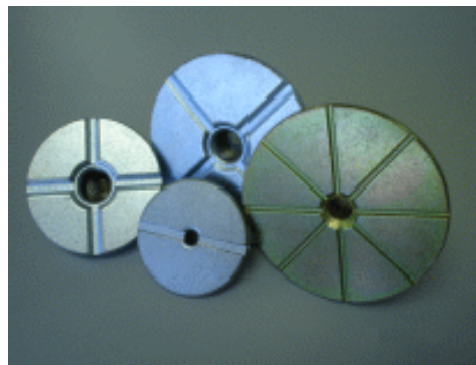


Itemref	material, Low Carbon Steel - SWRCH6A	Approved by - date 14th November 2006	Finish: Trivalent Blue Zinc or C.E.D. Coating
Designed by	Checked by	Dimension mm.	Date 14th Feb. 2007
			Scale 1:1

MILLION INTERWORK SDN. BHD.
 Lot 315, Jalan PKNK 3, Kawasan Perindustrian, 08000 Sungai Petani, Kedah, Malaysia
 Tel: 60-4-441 0288, 441 5388 Fax: 60-04-442 9092 Web: <http://www.million.url.tw>

TITLE T-Yoke / Pole Piece		
Drg. No. TU series	Edition 1.0	Sheet 1

PRODUCTION CAPACITY:
 A = OUT-DIAMETER OF PLATE: 55MM TO 150MM
 B = IN-DIAMETER OF PLATE: 12MM TO 75MM
 C = HEIGHT OF POLE: 8MM TO 70MM
 D = THICKNESS OF PLATE: 2MM TO 15MM
 E = DIAMETER OF RING
 H = DIA. OF HOLE: 8MM TO 25MM
 I, J & K = ACCORDING TO CUSTOMER DESIGN



Itemref	material, Low Carbon Steel - SWRCH6A	Approved by - date 14th November 2006	Finish: Trivalent Blue Zinc or C.E.D. Coating
Designed by	Checked by	Dimension mm.	Date 14th Feb. 2007
			Scale 1:1

MILLION INTERWORK SDN. BHD.

Lot 315, Jalan PKNK 3, Kawasan Perindustrian, 08000 Sungai Petani, Kedah, Malaysia
 Tel: 60-4-441 0288, 441 5388 Fax: 60-04-442 9092 Web: <http://www.million.url.tw>

TITLE T-Yoke / Pole Piece		
Drg. No. TX series	Edition 1.0	Sheet 1